

SHREE
KHODIYAR[®]
METAL PRODUCTS

SINCE 1994

An ISO 9001:2015 Certified Company

From
Concept
To
Creation



SKMP(Shree Khodiyar Metal Products) Group is committed to quality, sustainability, and transparency. Our dynamic vision makes us stand out from the crowd, and we strive to deliver the best service to our customers.

SKMP Group made a beginning 35 years ago with its headquarters in Jamnagar, and today it is recommended globally. With multiple verticals, **SKMP** Group operates in Brass and Other Metals [OEM], Exports, to serve best in their markets.

SKMP Group has grown tremendously in the past years and has successfully achieved to be a debt-free company with an annual turnover of over 25 million USD.

"Ease your customers' needs"

By the virtue of State-of-art strategies & diligent manpower, **SKMP** Group believes in challenging the discoveries to turn into tomorrow's trend and strives to offer affordable prices, and believes in ethics and values. A combination of Performance Driven, Results-Oriented, and empowering cultures make up the **SKMP** Group stand out of the box.

High-quality Custom Brass and Other Metal Components. With over 3 decades of industry expertise, we cater to a wide range of applications, including:

- Electrical
- Engineering
- Water & Oil
- Gas
- Aerospace
- Plumbing
- Hydraulic & Pneumatic
- Sanitary fittings



Unique Features

Shree Khodiyar Metal Products Group's products, services, packing etc have some unique features which makes us stand out amongst our competitor.



Products

- Leak Free designs can withstand high-pressure
- Products within tolerance limit of 0.05mm
- Machining range from 2mm till 175 mm
- All fittings have high quality appearance and good strength
- Every fitting can be marked with a traceability marking
- Male threads are capped with plastic cap for protection

Services

- Shree Khodiyar Metal Products Group supports its customers with favourable Payment terms.
- To avoid production loss and stock outs at customers end, Shree Khodiyar Metal Products Group always keeps Safety Stock as per customer's requirements.
- The material shall be fully Insured for transit as well as for any accidental occurrence or theft from Shree Khodiyar Metal Products's factory to Customer's port



Packaging

- Shree Khodiyar Metal Products Group understands the value of packaging and hence pay utmost importance in confirming that its packaging ensures uncontaminated and undamaged transportation.
- We use strong sea worthy corrugated cartons of standard quality for outer packaging. The box is then sealed with help of an Adhesive and Plastic strip.
- Each outer corrugated carton houses several cardboard boxes.
- Each inner Box is further packed in big Plastic Poly bag making the cargo water proof.
- Every outer and inner box has a Printed Sticker mentioning description of item, Item code, Size, Quantity, Country of Origin and Destination.



Excellence
can't be a destination.
it's a constance *Journey*

2018

Started Manufacturing of Cable Management & Accesories



2012

Expansion of manufacturing facility to 40,000 Sq. Ft with finished. Production Capacity up to 4000 MetricTons Per anum



2008

Became the Market Leader for Brass Inserts for Indian Market



2005

Started Branch Office in Kenya



2002

Diversified into manufacturing of Plumbing and Sanitary components for Indian and Exports Market



1985

INCEPTION - started with MFG of Cable Glands and Accesories



1994

Established Own Casting unit backward integration



1998

Started Exports of Electrical and Earthing components to Middle East and Europe Markets



Brass Plumbing Fittings



The brass cpvc inserts, brass ppr inserts offered by us can be availed as per various requirements of our clients and can be utilized in various industrial applications. Our proposed fittings have gained a huge attraction for their reliability, construction and sturdy designs. These are even tested by our experienced professionals against various set parameters and standards of quality to ensure their flawlessness. CPVC/PPR Pipe inserts are mostly applicable in the plumbing sector where pipe fittings are to be done.

- Threads** : ISO Metric (MM Threads), BA, BSW, BSP, BSPT, NPT, UNC, UNF, UNEF
- Size** : 1/2", 3/4", 1", 1 1/4", 1 1/2", 2", 2 1/2", 3", 4"
- Material** : Brass (CuZn39Pb3), Stainless Steel and as per customers specification
- Plating** : Plating Natural, Nickel, Chrome, Tin Plating or Brass (CuZn39Pb3),
Stainless Steel and as per customers specification

Brass Polyethylene Tank Connectors



Shree Khodiyar Metal Products Offers a complete range of Polyethylene and Roto Moulding Internal and External Tank Connectors. These Connectors are suitable for different shaped Tanks like Vertical, Horizontal, Square, Rectangular and Insulated Tanks

The entire range can be made under any of the following specification.

- Threads** : ISO Metric (MM Threads), BA, BSW, BSP, BSPT, NPT, UNC, UNF, UNEF
- Size** : 1/2", 3/4", 1", 1 1/4", 1 1/2", 2", 2 1/2", 3", 4"
- Material** : CW614N (CuZn39Pb3), CW617N (CuZn40Pb2), CW602N (CuZn36Pb2As),
Or any other customer specified Copper Alloy
- Plating** : Natural, Nickel, Chrome, Tin or any other coating as per customers specification
- Rubber** : Odourless, High grade, PVC / Rubber Washer

Center Hex Connector



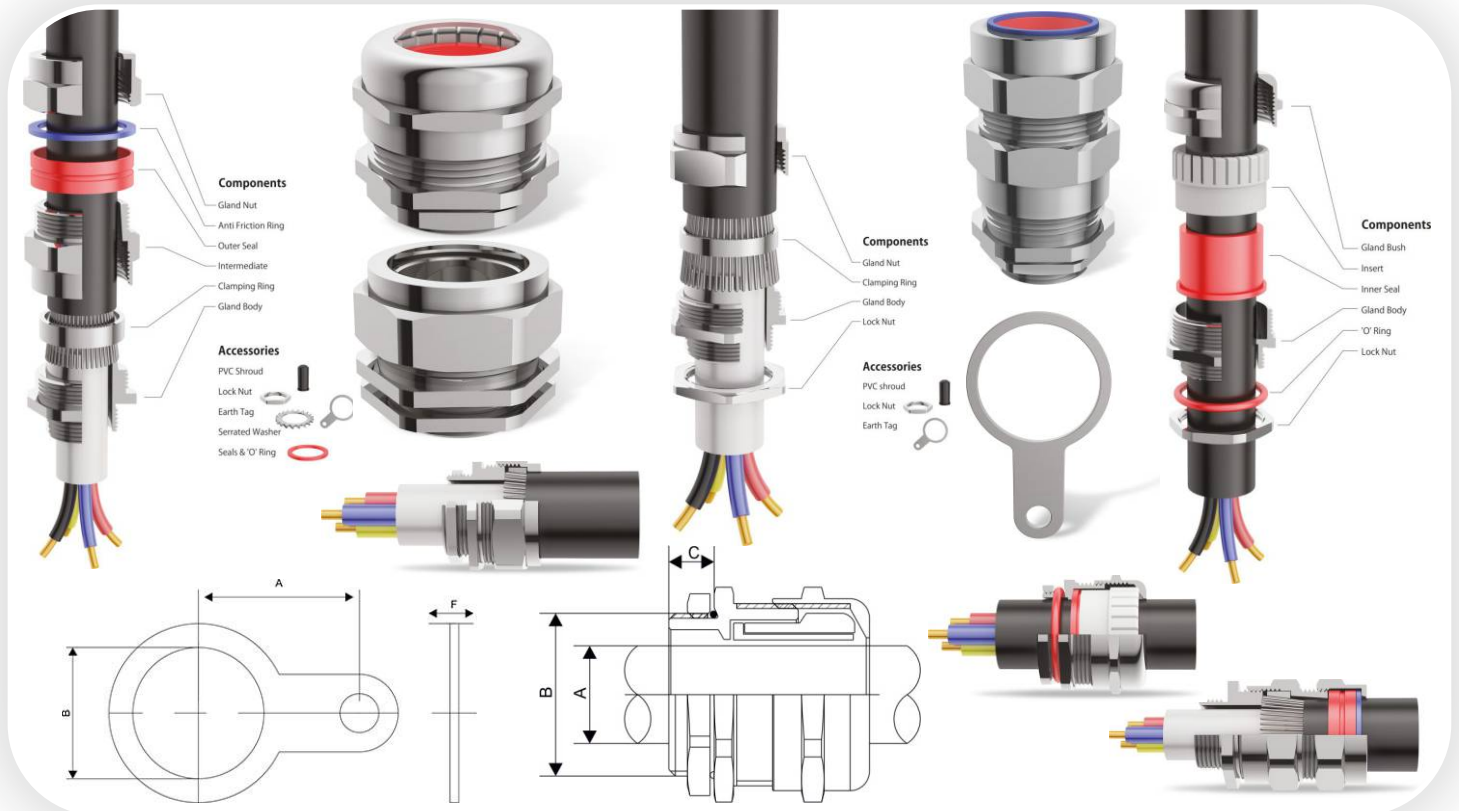
1/2" X 70mm
3/4" X 70mm
1" X 70mm
1.1/4" X 80mm
1.1/2" X 80mm
2" X 80mm
2.1/2" X 90mm
3" X 90mm

Tank Connector



1/2" X 60mm
3/4" X 60mm
1" X 60mm
1.1/4" X 60mm
1.1/2" X 60mm
2" X 60mm
2.1/2" X 80mm
3" X 80mm

Cable Management & Accessories



We are India's leading manufacturer and exporter of CW, BW, DC, SC, PG Cable Glands.

Type : CW(2 Part, 4 Part), BW(2 Part, 4 Part), DC, SC, PG Cable Glands.

Material : Brass (CuZn39Pb3), Stainless Steel and as per customers specification

Operating Temperature : Standard Seals -20°C to +90°C.

Cable Types : Armoured, Unarmoured

Finish : Bright Nickel Plated / Natural as per customers specification

Accessories : Matching Accessories available like PVC Shrouds, Lock Nuts, Earth Tag & "O" Ring as per requirement

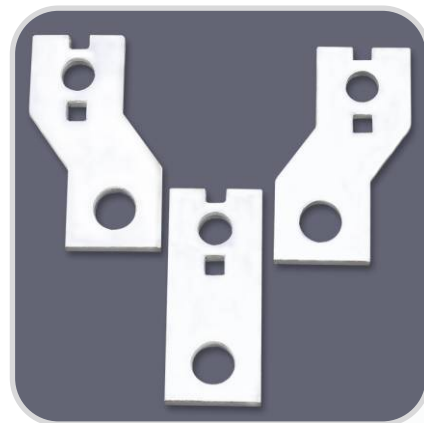
Accessories



Cable Cleat



Copper Saddles



Copper Spreader Link



Copper Lugs



Grommets



LSZH Copper Clips



Earthing Clamp (Brass / S.S.)



We are specialized in the Manufacturing of Brass / Other Metals Forging Components and Brass / Other Metals Casting Parts. Any kind of Brass / Other Metals Forged Components can be developed and supplied exactly as per customer specifications.



Angle Valve

Sr. No.	Size
1	1/2"
2	3/4"
3	1"

Ball Valve

Sr. No.	Size
1	1/2"
2	3/4"
3	1"



Float Valve

Brass Float Valve are Screwed Male ends to BSP Threads as per IS:554 standard. These Valves are assembled with superior grade Rubber Washer and are tested Leaks They come with variety of ball options



Catering to the needs of the customers, SKMP Group manufactures and supplies Billets in different grades such as Gun Metal, Tin Bronze, Copper and Brass confirming to international standards. These billets are available in a size diameter of 5 Inch with a maximum length of 1.5 Meters.

Shape	Round
Length	10" to 19" (As required)
Weight	1" = 2.300 Kilograms
Packing	Loose / Wooden Pallet / Jumbo Bags
Alloys	<ul style="list-style-type: none">- Normal Barss- Yellow Brass- High Tensile Brass- Naval Brass- Forging Brass- DZR Brass
Customization	Yes, as per requirement

SHREE
KHODIYAR[®]
METAL PRODUCTS

SINCE 1994



+91 77779 35313 / +91 78610 42753



sales@shreekhodiyarmetalproducts.com



www.shreekhodiyarmetalproducts.com



Plot No. 4464, 'L' Road, G.I.D.C., Phase - III,
Dared, Jamnagar, Gujarat, India - 361 004.

